

# Tauris Transit

Simple and Reliable,  
Designed for General  
Purpose Applications

## TP-601BP (With Press)

Tauris Transit TP-601BP is a fully automatic strapping machine with compression press for production and packaging lines. It is the simplest and most reliable strapping machine for general purpose applications on the market today.

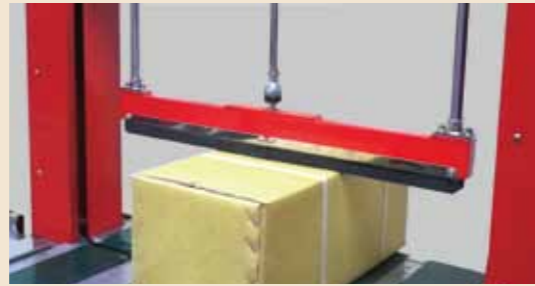


15F-1, NO. 17, SEC. 1, CHENGDE ROAD,  
TAIPEI 103, TAIWAN  
TEL: 886 2 2555 2515  
FAX: 886 2 2555 2516  
WEB: www.transpakcorp.com  
E-mail: transpak@transpak.com.tw

Made in Taiwan

10.2013x2000

## Main Features



### With Pneumatic Press

TP-601BP is ideal to strap compressible material such as corrugated papers, paper sheets, plastic sheets, bags...etc.

More features refer to TP-601A / TP-601B

## Options

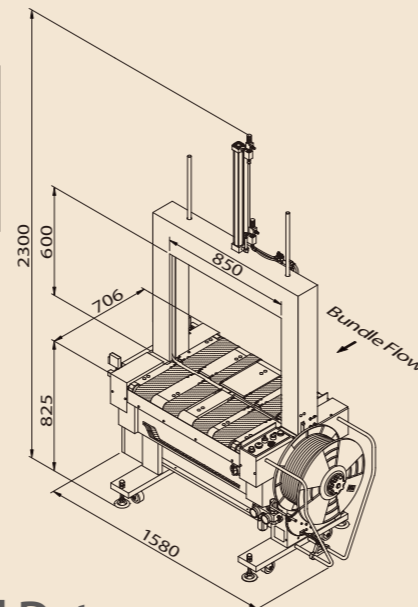
- **Stainless steel frame SUS 304 (TP-601BPS)**

Other options please refer to TP-601A/TP-601B

## Arch Sizes

H	W	850	1050	1250
400				
600	Ⓢ			
800				
1000				

Ⓢ Standard size:  
850 mm(W) x 600 mm(H)



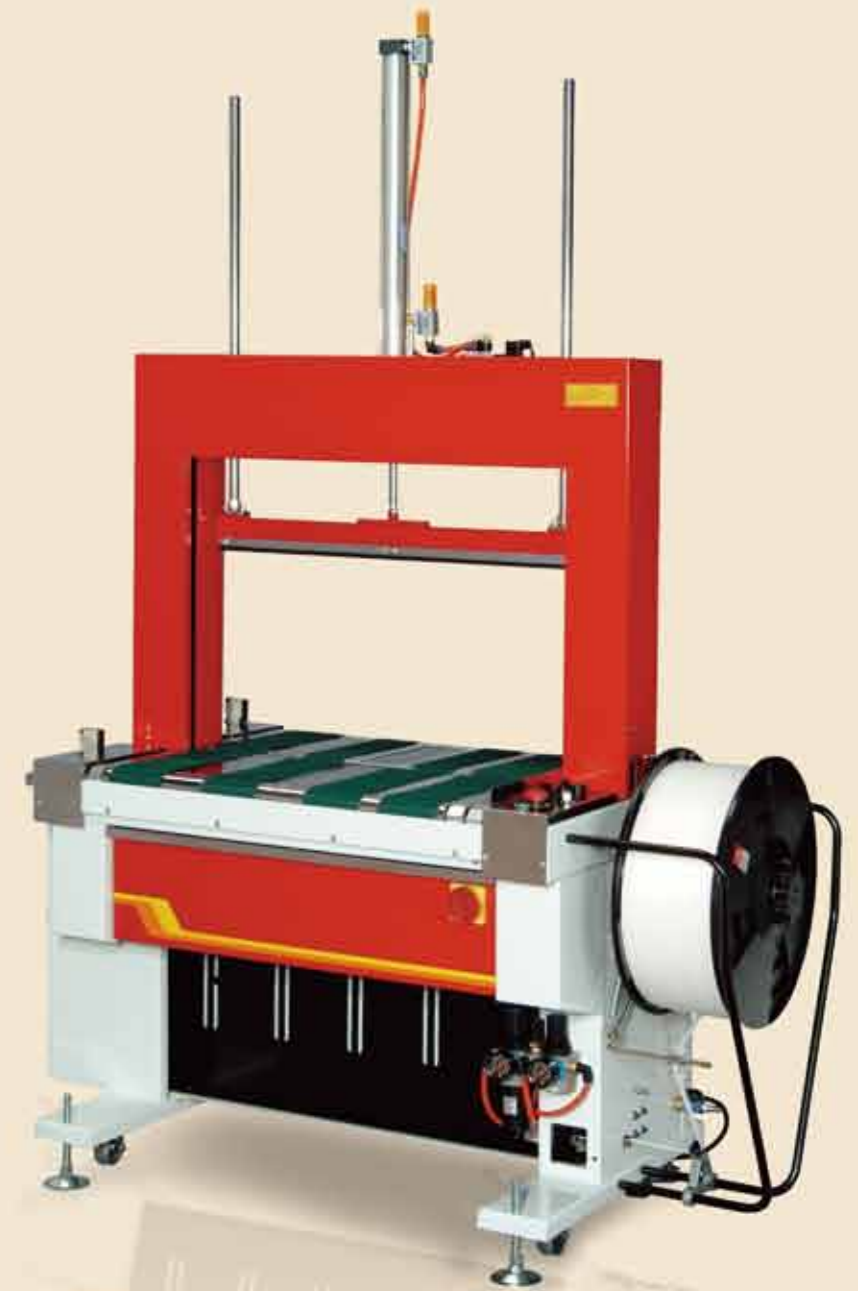
## TP-601BP Technical Data

<b>Strap Width</b>	8 mm -12 mm
<b>Strap Tension</b>	7-70 kg
<b>Speed</b>	Up to 18 packages per minute (60 Hz) (Cycle speed up to 29 straps per minute)
<b>Table Height</b>	825 mm
<b>Net Weight</b>	347 kg
<b>Pneumatic Source</b>	6 bar
<b>Air Consumption</b>	10 liter/cycle
<b>Electrical Requirements</b>	220V, 380V, 400V 50/60Hz 3PH



All specifications are subject to change without notice.

# TAURIS TP-601BP



If you are looking for fully automatic strapping machines which offer high reliability and performance, these machines deliver everything you want. All machines are equipped with Electronic Tension Control, Auto Strap Feeding, and Auto Strap Ejector. In this category, we have three models to meet your various needs:

- Fully automatic machine with Roller-driven table Tauris Transit TP-601A
- Fully automatic machine with Belt-driven table Tauris Transit TP-601B
- Fully automatic machine with Belt-driven table and compression press Tauris Transit TP-601BP

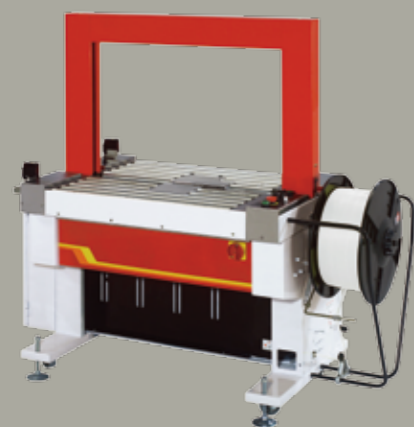
# FULLY-AUTO STRAPPING MACHINE

# Tauris Transit

Simple and Reliable,  
Designed for General  
Purpose Applications

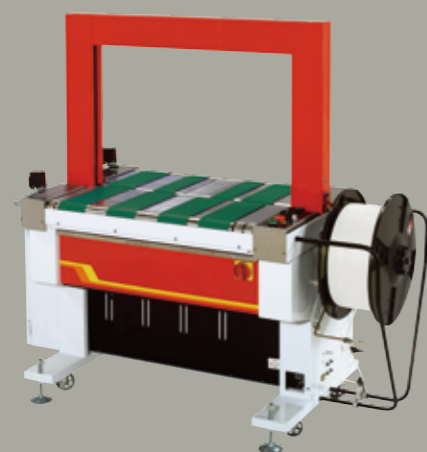
## TP-601A

Roller-Driven Table



## TP-601B

Belt-Driven Table



Tauris Transit strapping machines are the simplest and most reliable strapping machines for general purpose applications on the market today.

### Main Features



#### Reliable and Robust Strapping Head

Robust mechanism design and high engineering standard ensure excellent durability of the products. Use two proximity switches to replace conventional limit switches.



#### Auto Strap Feeding

Simply insert the strap into the feeding rollers from the coil side of the machine and then push the "reset" button. The machine will automatically feed the strap without the need to access to the inside of the machine. No need to remove it from the line for strap feeding. Easy strap loading.



#### Auto Strap Ejector

Loop-eject clears unwanted strap automatically if the machine is accidentally activated without a package. Eliminates downtime.



#### Electronic Tension Control

External adjustment of strap tension by the simple turn of a dial. Easy operation.



#### Belt Transmission

Instead of using roller chain, belt transmission system ensures long operational life and quiet operation.



#### Hinged Top Plates

Opens wide for quick cleaning, inspection, and maintenance of strapping head, strap-feed and tensioning unit.

### Options

- Siemens PLC control
- Variable conveyor speed: from 18 meter/minute to 42 meter/minute
- Safety guards
- Foot pedal switch
- Stainless steel frame SUS 304 (TP-601AS, TP-601BS)

### Arch Sizes

H \ W	850	1050	1250
400			
600	Ⓢ		
800			
1000			

Ⓢ Standard size: 850 mm(W) x 600 mm(H)

### More Features

#### Conveyor Speed

30 meter/minute

#### Multiple Strap Function

For single, double, continuous strapping or transit mode

#### Up and Down Stream Interlock

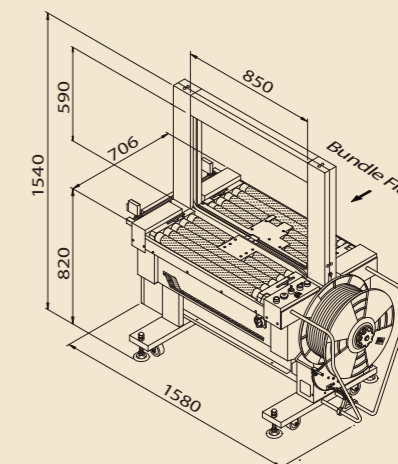
With complete plug connection

#### Easy Bundle Flow Direction Change

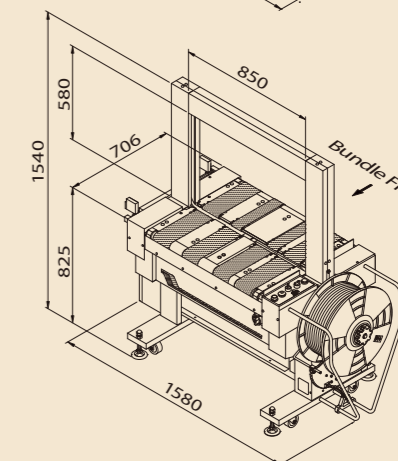
The bundle flow direction could be reversed easily to meet different production line requirement

#### Strap End Ejector

Automatic end-strap detection and ejection. Get the machine ready for next coil of strap



TP-601A



TP-601B

### TP-601A / TP-601B Technical Data

**Strap Width** 8 mm-12 mm

**Strap Tension** 7-70 kg

**Speed** Up to 18 packages per minute (60Hz)  
(Cycle speed up to 29 straps per minute)

**Table height** 820 mm for TP-601A  
825 mm for TP-601B

**Net Weight** 330 kg

**Electrical Requirements**

220V, 380V, 400V 50/60Hz 3PH